

# SUBMITTAL/TECHNICAL DATA SHEET



## DESCRIPTION

Drywall Access Door provides simple access through a vertical or horizontal surface with push latching door. Engineered with a welded aluminum frame and an optional removable door that is designed to receive 1/2 inch or 5/8 inch drywall infill to seamlessly integrate into the surrounding wall.

## FEATURES

- Optional Double Door
- Push Latching Door
- Safety Cord

## SPECIFICATIONS

MODEL: BRGB/BRGBR/BRGT

DOOR: Welded Aluminum, Drywall Infill

FRAME: Welded Aluminum

SIZE:  
Min: 8 inches by 8 inches  
Max: 24 inches by 24 inches

INSTALLATION: Wall or Ceiling

FLANGE: Exposed

HINGE: Welded Pin

FINISH: Mill

WARRANTY: 1 year

OPTIONS: Flanges, Latches, Materials, Gaskets

For a complete list of options visit [www.AccessDoorsAndPanels.com](http://www.AccessDoorsAndPanels.com)



SKU: **B RGB**

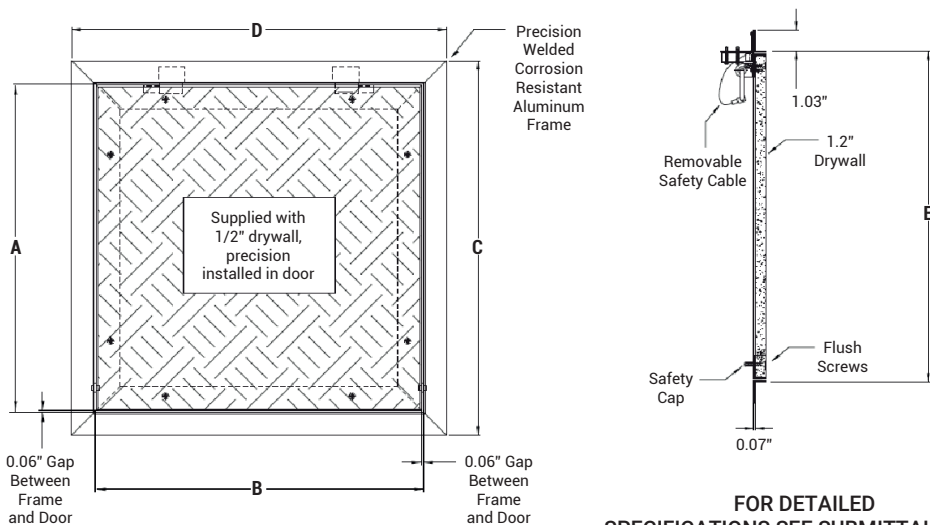
**DRYWALL ACCESS DOOR**

## DIMENSIONS AND APPEARANCE

>> CLICK TO VIEW ADDITIONAL DETAILS AND PRICING <<

### ORDER GUIDE:

BASE	FLANGE	WIDTH	X	LENGTH	OPTIONS	-	INFILL
BRG			X			-	
	<b>B</b> No Flange	STANDARD SIZES			<b>C</b> Screw Driver Cam Latch		<b>500</b> -1/2" Drywall
	<b>BR</b> Plaster Bead	8" X 8"		20" X 20"	<b>D</b> Double Door		<b>625</b> -5/8" Drywall
	<b>T</b> Drywall Bead	12" X 12"		24" X 24"	<b>L</b> Key Operated Cam Latch		
		16" X 16"					



FOR DETAILED SPECIFICATIONS SEE SUBMITTAL SHEET

## PROJECT DATA

Custom Sizes Available - Fast!

PROJECT NAME :	QTY	W	H	OPTIONS
ARCHITECT :				
DEALER :				
CONTRACTOR :				
LOCATION :	SPECIAL INSTRUCTIONS :			
DATE :	SUBMITTAL APPROVAL : (signature or stamp)			
TAGGING INSTRUCTIONS :				

Scan or Click



To view Pricing and Additional Product Info.

TELEPHONE:  
1-888-457-1275  
FAX:  
1-888-626-2907

PO BOX 66738 #76520,  
SAINT LOUIS, MO  
63166-6738  
USA



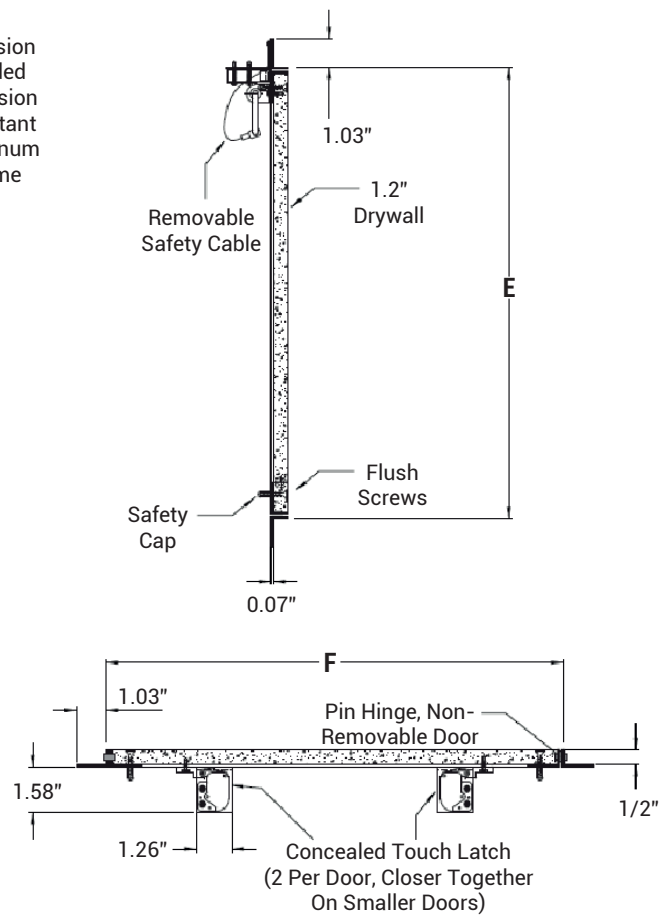
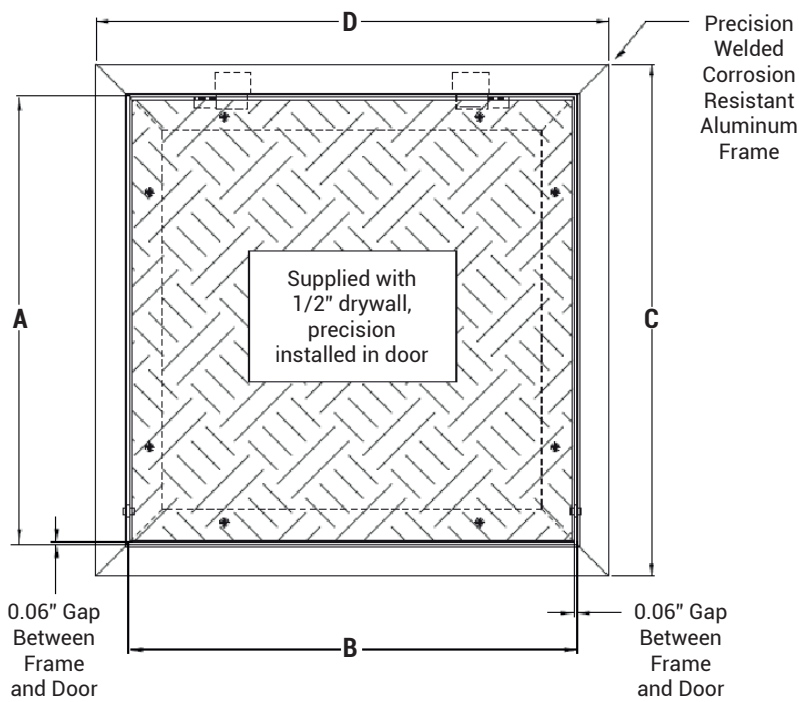
WEBSITE:  
[www.AccessDoorsAndPanels.com](http://www.AccessDoorsAndPanels.com)  
E-MAIL:  
[info@AccessDoorsAndPanels.com](mailto:info@AccessDoorsAndPanels.com)



**B RGB**

# DRYWALL ACCESS DOOR FOR 1/2" DRYWALL

QTY	NOMINAL SIZE W X H		A		B		C		D		E		F	
	Inches	mm	Inches	mm	Inches	mm	Inches	mm	Inches	mm	Inches	mm	Inches	mm
	8 x 8	203 x 203	8.00	203	8.00	203	10.20	258	10.20	258	8.14	207	8.14	207
	12 x 12	305 x 305	12.00	305	12.00	305	14.20	359	14.20	359	12.14	308	12.14	308
	16 x 16	406 x 406	16.00	406	16.00	406	18.20	461	18.20	461	16.14	410	16.14	410
	18 x 18	457 x 457	18.00	457	18.00	457	20.20	512	20.20	512	20.14	461	20.14	461
	20 x 20	508 x 508	20.00	508	20.00	508	22.20	562	22.20	562	22.14	512	22.14	512
	24 x 24	610 x 610	24.00	610	24.00	610	26.20	664	26.20	664	24.14	613	24.14	613
	24 x 36	610 x 915	24.00	610	36.00	915	26.20	664	38.20	969	24.14	613	36.14	919

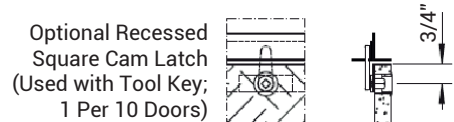
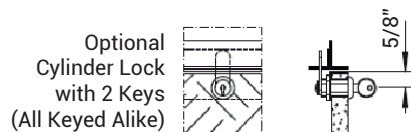


**SPECIFICATIONS:**

- CONCEALED TOUCH LATCH
- WELDED ALUMINUM FRAME
- WELDED ALUMINUM, HINGED, NON-REMOVABLE DOOR
- PRE-INSTALLED PRECISION DRYWALL
- MILL FINISH
- NON-SNAG REMOVABLE SAFETY CABLE
- SUPPLIED TO FIT 1/2" DRYWALL
- ROUGH OPENING TO BE WIDTH/HEIGHT + 0.188"

**OPTIONS:**

- CYLINDER LOCK WITH 2 KEYS (L)
- SCREWDRIVER CAM LATCH (C)

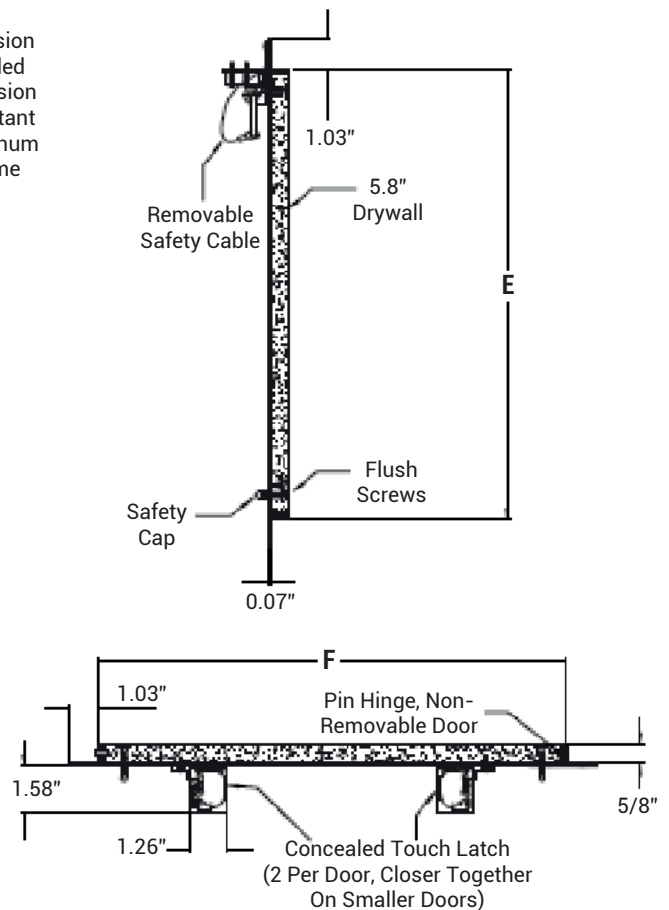
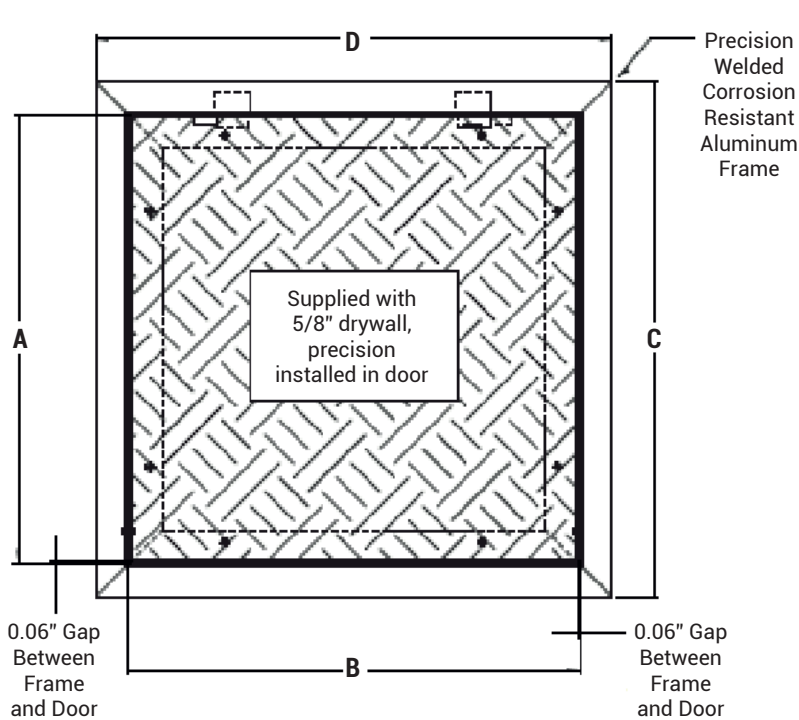




**B RGB**

# DRYWALL ACCESS DOOR FOR 5/8" DRYWALL

QTY	NOMINAL SIZE W X H		A		B		C		D		E		F	
	Inches	mm	Inches	mm	Inches	mm	Inches	mm	Inches	mm	Inches	mm	Inches	mm
	8 x 8	203 x 203	8.00	203	8.00	203	10.20	258	10.20	258	8.14	207	8.14	207
	12 x 12	305 x 305	12.00	305	12.00	305	14.20	359	14.20	359	12.14	308	12.14	308
	16 x 16	406 x 406	16.00	406	16.00	406	18.20	461	18.20	461	16.14	410	16.14	410
	18 x 18	457 x 457	18.00	457	18.00	457	20.20	512	20.20	512	20.14	461	20.14	461
	20 x 20	508 x 508	20.00	508	20.00	508	22.20	562	22.20	562	22.14	512	22.14	512
	24 x 24	610 x 610	24.00	610	24.00	610	26.20	664	26.20	664	24.14	613	24.14	613
	24 x 36	610 x 915	24.00	610	36.00	915	26.20	664	38.20	969	24.14	613	36.14	919



**SPECIFICATIONS:**

- CONCEALED TOUCH LATCH
- WELDED ALUMINUM FRAME
- WELDED ALUMINUM, HINGED, NON-REMOVABLE DOOR
- PRE-INSTALLED PRECISION DRYWALL
- MILL FINISH
- NON-SNAG REMOVABLE SAFETY CABLE
- SUPPLIED TO FIT 5/8" DRYWALL
- ROUGH OPENING TO BE WIDTH/HEIGHT + 0.188"

**OPTIONS:**

- CYLINDER LOCK WITH 2 KEYS (L)
- SCREWDRIVER CAM LATCH (C)

